
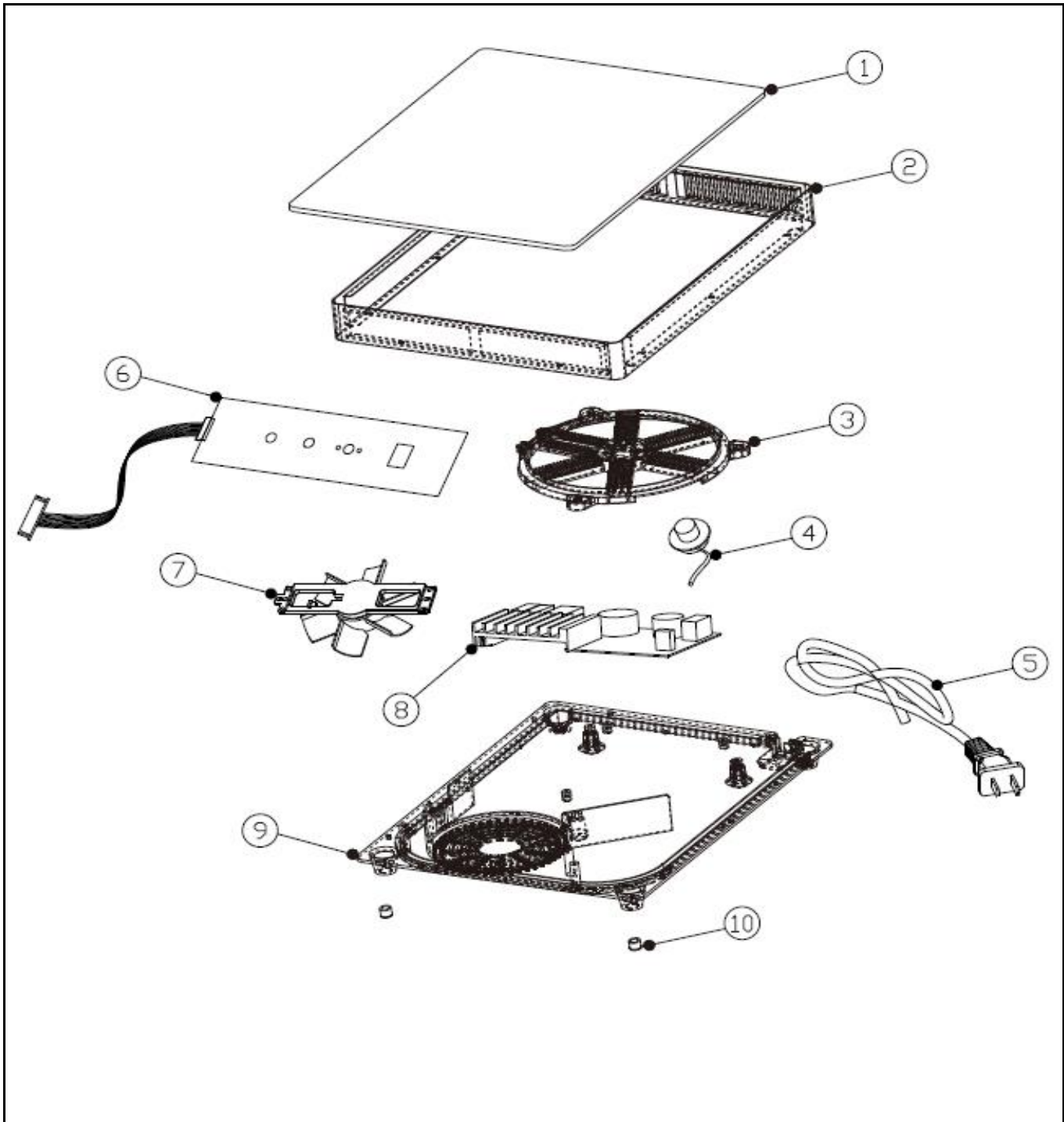



Drawing

 <b>Hendi B.V.</b> Steenoven 21 3911 TX Rhenen The Netherlands	<b>Batch #</b>	<b>Appliance part#</b>
	170225 and up	<b>239278</b>
	<b>Description</b>	
	Induction Cooker 2000W Display Line	

<b>Date</b>	28-03-2018	<b>Revision #</b>	1.0
<b>Revision</b>	First Bill of Materials (BOM)		



### Bill of materials (BOM)

 <p><b>Hendi B.V.</b>                  Steenoven 21                  3911 TX Rhenen                  The Netherlands</p>	<b>Batch #</b>	<b>Appliance part#</b>
	170225 and up	<b>239278</b>
	<b>Description</b>	
	Induction Cooker 2000W Display Line	


<b>Date</b>	28-03-2018	<b>Revision #</b>	1.0
<b>Revision</b>	First Bill of Materials (BOM)		

Item	Description	Part#	Quantity	Remark	Picture
1	Glass Plate	n/a	1		
2	Upper Housing	n/a	1		
1 + 2	Upper Housing with Glass	n/a	1		
3	Main Coil	n/a	1		
4	Sensor Module	n/a	1		
5	Power Cord	n/a	1		
6	Control PCB	n/a	1		
7	Fan	919446	1		
8	Main PCB	n/a	1		
9	Bottom Housing	n/a	1		
10	Feet	n/a	4		

n/a -> not available

nss -> not sold separately

## Wiring diagram

 <b style="font-size: 2em; font-weight: bold; color: red;">HENDI</b> <small>FOOD SERVICE EQUIPMENT</small>  <b>Hendi B.V.</b> Steenoven 21 3911 TX Rhenen The Netherlands	<b>Batch #</b>	<b>Appliance part#</b>
	170225 and up	239278
	<b>Description</b>	
	Induction Cooker 2000W Display Line	

<b>Date</b>	28-03-2018	<b>Revision #</b>	1.0
<b>Revision</b>	First Bill of Materials (BOM)		

