
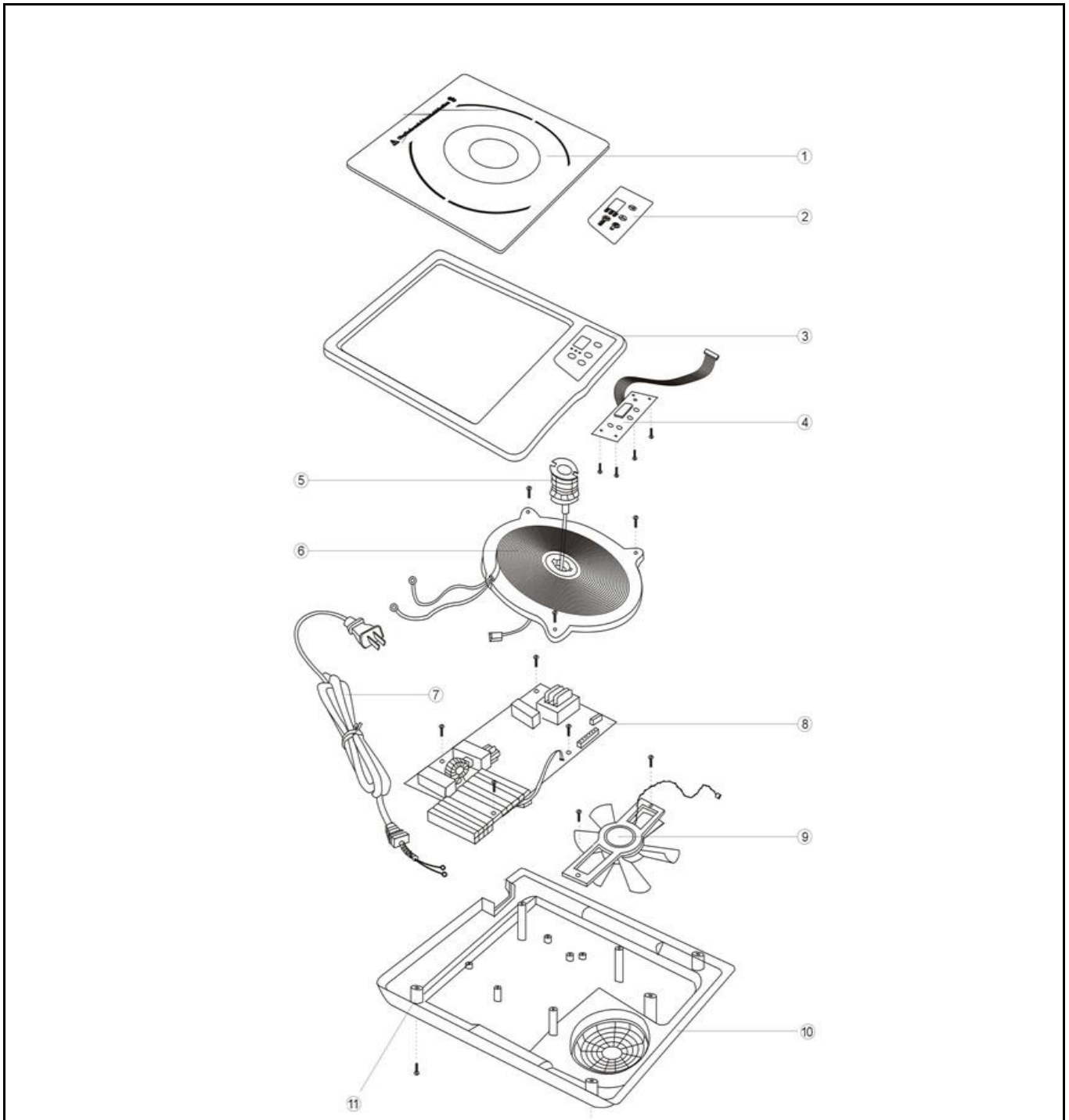



Drawing

 <b>Hendi B.V.</b> Steenoven 21 3911 TX Rhenen The Netherlands	<b>Batch #</b>	<b>Appliance part#</b>
	000380 and up	<b>239209</b>
	<b>Description</b>	
	Induction cooker 1800W	

<b>Date</b>	29-01-2013	<b>Revision #</b>	Revision version 1,1
<b>Revision</b>	New version main pcb and control pcb.		



### Bill of materials (BOM)

 <b>Hendi B.V.</b> Steenoven 21 3911 TX Rhenen The Netherlands	<b>Batch #</b>	<b>Appliance part#</b>
	000380 and up	<b>239209</b>
	<b>Description</b>	
<b>Induction cooker 1800W</b>		


<b>Date</b>	29-01-2013	<b>Revision #</b>	Revision version 1,1
<b>Revision</b>	New version main pcb and control pcb.		

Item	Description	Part#	Quantity	Remark	Picture
1	Glass plate	nss	1	Available as 900307	
2	Display sticker	901427	1		
3	Upper housing	900307	1	Incl item 1	
4	Control pcb (EUP)	914335	1		
5	Sensor	n/a	1		
6	Main coil	n/a	1		
7	Power cord	929766	1		
8	Main pcb (EUP)	914328	1		
9	Fan 18V	919446	1		
10	Bottom cover	n/a	1		
11	Feet	n/a	4		

n/a -> not available

nss -> not sold separately

## Wiring diagram

 <b style="font-size: 24px; font-weight: bold;">HENDI</b> <small>FOOD SERVICE EQUIPMENT</small>  <b>Hendi B.V.</b> Steenoven 21 3911 TX Rhenen The Netherlands	<b>Batch #</b>	<b>Appliance part#</b>
	000380 and up	239209
	<b>Description</b>	
	Induction cooker 1800W	

<b>Date</b>	29-01-2013	<b>Revision #</b>	Revision version 1,1
<b>Revision</b>	New version main pcb and control pcb.		

